
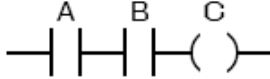
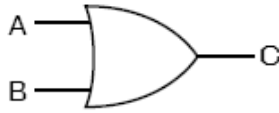
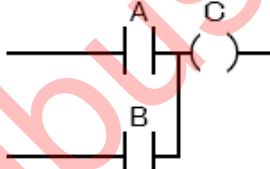

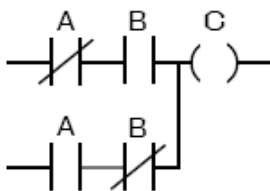
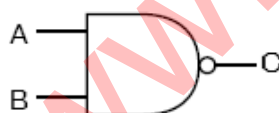
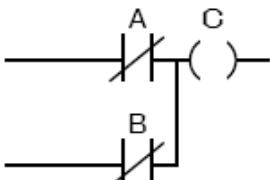
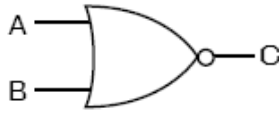
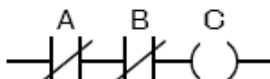


## EQUIVALENT LADDER/LOGIC DIAGRAMS

Logic Diagram	Truth Table	Ladder Diagram															
 <p>AND Gate</p>	<table style="margin: auto; border-collapse: collapse;"> <thead> <tr style="border-bottom: 1px solid black;"> <th style="padding: 2px 10px;">A</th> <th style="padding: 2px 10px;">B</th> <th style="padding: 2px 10px;">C</th> </tr> </thead> <tbody> <tr><td style="padding: 2px 10px;">0</td><td style="padding: 2px 10px;">0</td><td style="padding: 2px 10px;">0</td></tr> <tr><td style="padding: 2px 10px;">0</td><td style="padding: 2px 10px;">1</td><td style="padding: 2px 10px;">0</td></tr> <tr><td style="padding: 2px 10px;">1</td><td style="padding: 2px 10px;">0</td><td style="padding: 2px 10px;">0</td></tr> <tr><td style="padding: 2px 10px;">1</td><td style="padding: 2px 10px;">1</td><td style="padding: 2px 10px;">1</td></tr> </tbody> </table>	A	B	C	0	0	0	0	1	0	1	0	0	1	1	1	 <p>AND Equivalent Circuit</p>
A	B	C															
0	0	0															
0	1	0															
1	0	0															
1	1	1															
 <p>OR Gate</p>	<table style="margin: auto; border-collapse: collapse;"> <thead> <tr style="border-bottom: 1px solid black;"> <th style="padding: 2px 10px;">A</th> <th style="padding: 2px 10px;">B</th> <th style="padding: 2px 10px;">C</th> </tr> </thead> <tbody> <tr><td style="padding: 2px 10px;">0</td><td style="padding: 2px 10px;">0</td><td style="padding: 2px 10px;">0</td></tr> <tr><td style="padding: 2px 10px;">0</td><td style="padding: 2px 10px;">1</td><td style="padding: 2px 10px;">1</td></tr> <tr><td style="padding: 2px 10px;">1</td><td style="padding: 2px 10px;">0</td><td style="padding: 2px 10px;">1</td></tr> <tr><td style="padding: 2px 10px;">1</td><td style="padding: 2px 10px;">1</td><td style="padding: 2px 10px;">1</td></tr> </tbody> </table>	A	B	C	0	0	0	0	1	1	1	0	1	1	1	1	 <p>OR Equivalent Circuit</p>
A	B	C															
0	0	0															
0	1	1															
1	0	1															
1	1	1															
 <p>Exclusive-OR Gate</p>	<table style="margin: auto; border-collapse: collapse;"> <thead> <tr style="border-bottom: 1px solid black;"> <th style="padding: 2px 10px;">A</th> <th style="padding: 2px 10px;">B</th> <th style="padding: 2px 10px;">C</th> </tr> </thead> <tbody> <tr><td style="padding: 2px 10px;">0</td><td style="padding: 2px 10px;">0</td><td style="padding: 2px 10px;">0</td></tr> <tr><td style="padding: 2px 10px;">0</td><td style="padding: 2px 10px;">1</td><td style="padding: 2px 10px;">1</td></tr> <tr><td style="padding: 2px 10px;">1</td><td style="padding: 2px 10px;">0</td><td style="padding: 2px 10px;">1</td></tr> <tr><td style="padding: 2px 10px;">1</td><td style="padding: 2px 10px;">1</td><td style="padding: 2px 10px;">0</td></tr> </tbody> </table>	A	B	C	0	0	0	0	1	1	1	0	1	1	1	0	 <p>Exclusive-OR Equivalent Circuit</p>
A	B	C															
0	0	0															
0	1	1															
1	0	1															
1	1	0															
 <p>NAND Gate</p>	<table style="margin: auto; border-collapse: collapse;"> <thead> <tr style="border-bottom: 1px solid black;"> <th style="padding: 2px 10px;">A</th> <th style="padding: 2px 10px;">B</th> <th style="padding: 2px 10px;">C</th> </tr> </thead> <tbody> <tr><td style="padding: 2px 10px;">0</td><td style="padding: 2px 10px;">0</td><td style="padding: 2px 10px;">1</td></tr> <tr><td style="padding: 2px 10px;">0</td><td style="padding: 2px 10px;">1</td><td style="padding: 2px 10px;">1</td></tr> <tr><td style="padding: 2px 10px;">1</td><td style="padding: 2px 10px;">0</td><td style="padding: 2px 10px;">1</td></tr> <tr><td style="padding: 2px 10px;">1</td><td style="padding: 2px 10px;">1</td><td style="padding: 2px 10px;">0</td></tr> </tbody> </table>	A	B	C	0	0	1	0	1	1	1	0	1	1	1	0	 <p>NAND Equivalent Circuit</p>
A	B	C															
0	0	1															
0	1	1															
1	0	1															
1	1	0															
 <p>NOR Gate</p>	<table style="margin: auto; border-collapse: collapse;"> <thead> <tr style="border-bottom: 1px solid black;"> <th style="padding: 2px 10px;">A</th> <th style="padding: 2px 10px;">B</th> <th style="padding: 2px 10px;">C</th> </tr> </thead> <tbody> <tr><td style="padding: 2px 10px;">0</td><td style="padding: 2px 10px;">0</td><td style="padding: 2px 10px;">1</td></tr> <tr><td style="padding: 2px 10px;">0</td><td style="padding: 2px 10px;">1</td><td style="padding: 2px 10px;">0</td></tr> <tr><td style="padding: 2px 10px;">1</td><td style="padding: 2px 10px;">0</td><td style="padding: 2px 10px;">0</td></tr> <tr><td style="padding: 2px 10px;">1</td><td style="padding: 2px 10px;">1</td><td style="padding: 2px 10px;">0</td></tr> </tbody> </table>	A	B	C	0	0	1	0	1	0	1	0	0	1	1	0	 <p>NOR Equivalent Circuit</p>
A	B	C															
0	0	1															
0	1	0															
1	0	0															
1	1	0															